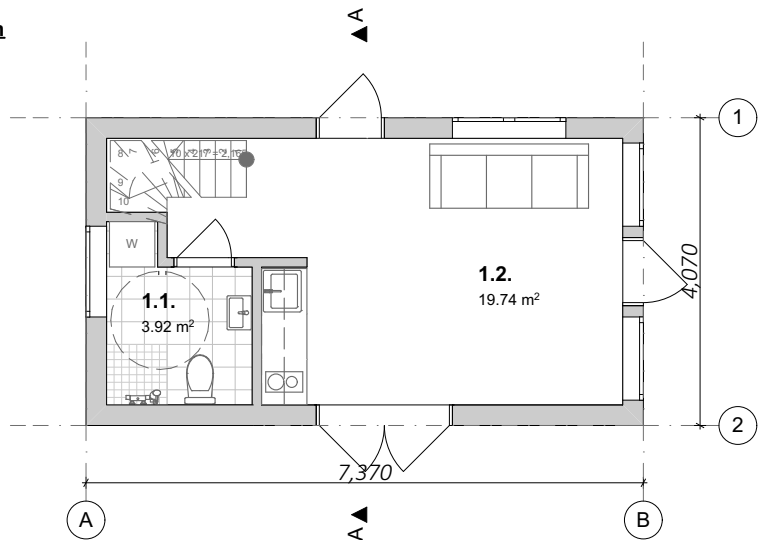
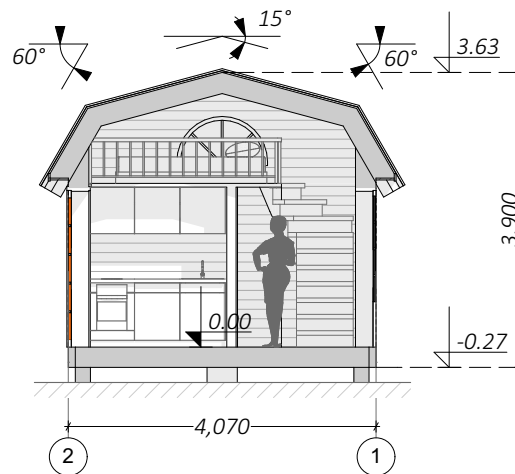


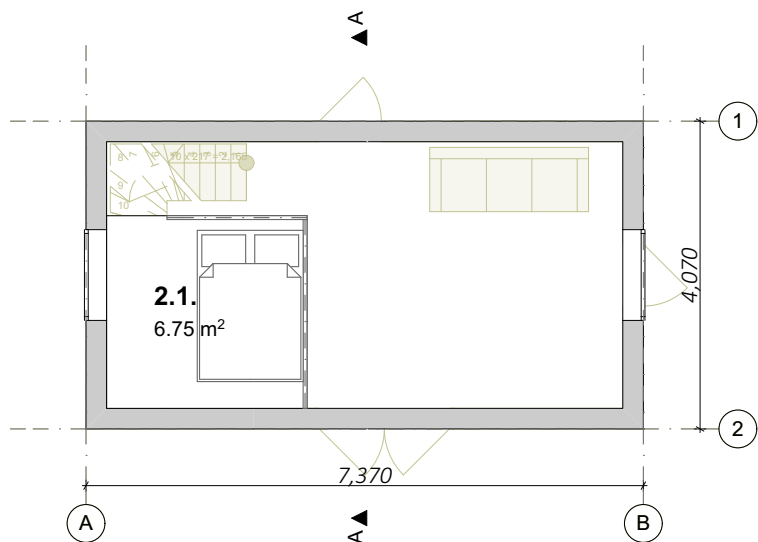
**Floorplan**  
S 1:100



**Section A - A**  
S 1:100



**Loft**  
S 1:100



**Total area:** **30.00 m<sup>2</sup>**

**Living area:**  
First floor **23.66 m<sup>2</sup>**  
Loft **6.75 m<sup>2</sup>**



**Model:** 226

**Drawing:** Floorplans, Section A - A

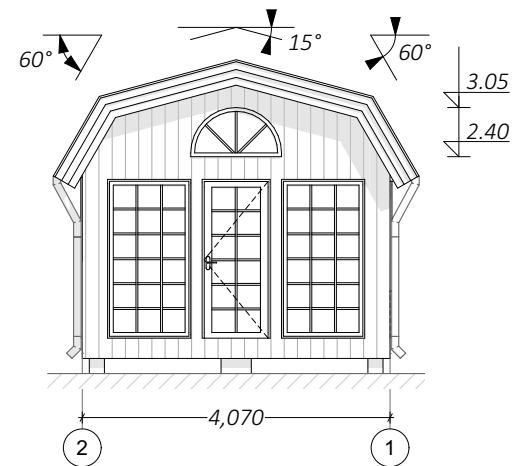
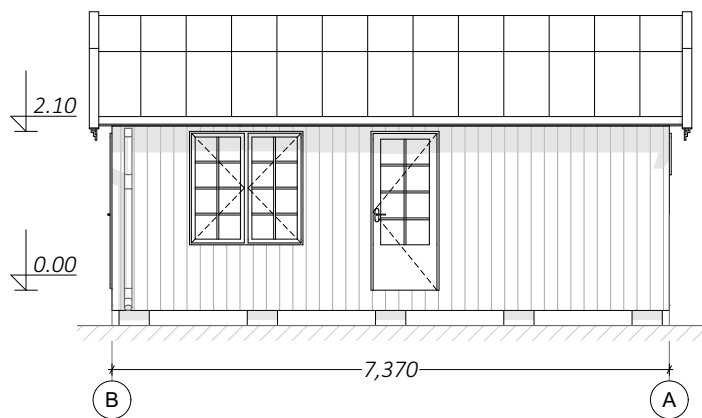
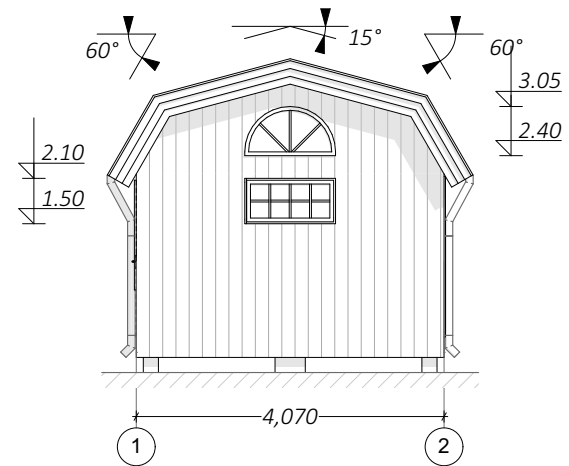
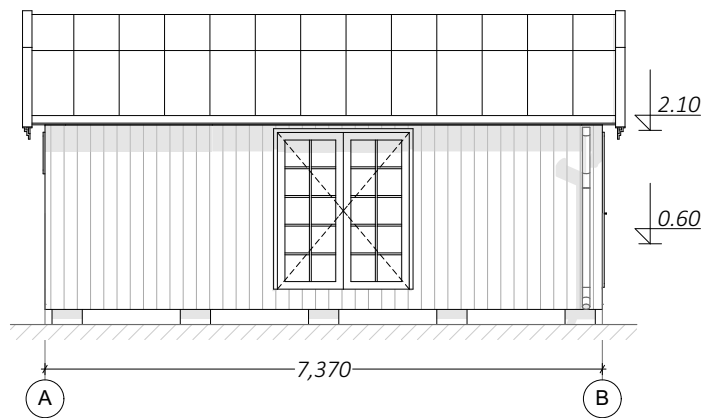
**Customer:**

**Scale:**  
1:100/ A4

**Design:** J. Peneze  
**Date:** 25-Mar-22

**Page**  
1

**Pages**  
1



FABRIKA RAUNA

Model: 226

Drawing: Fasades

Customer:

Scale:  
1:100/ A4

Design: J. Peneze  
Date: 25-Mar-22

Page  
2

Pages